



Standard Parts.

Ganter.



- **Company presentation Otto Ganter GmbH & Co. KG**
- **Development Ganter and partnership with CADENAS**
- **CAD development procedure for effective customer service (CDM)**
- **CAD data development within the Ganter Gruppe**
- **Dynamic dimensioning**

The company



Medium-sized family company
380 employees
> 90 million euros in sales



The company



The leading standard parts partner

More than 50,000 standard parts available off-the-shelf

The company



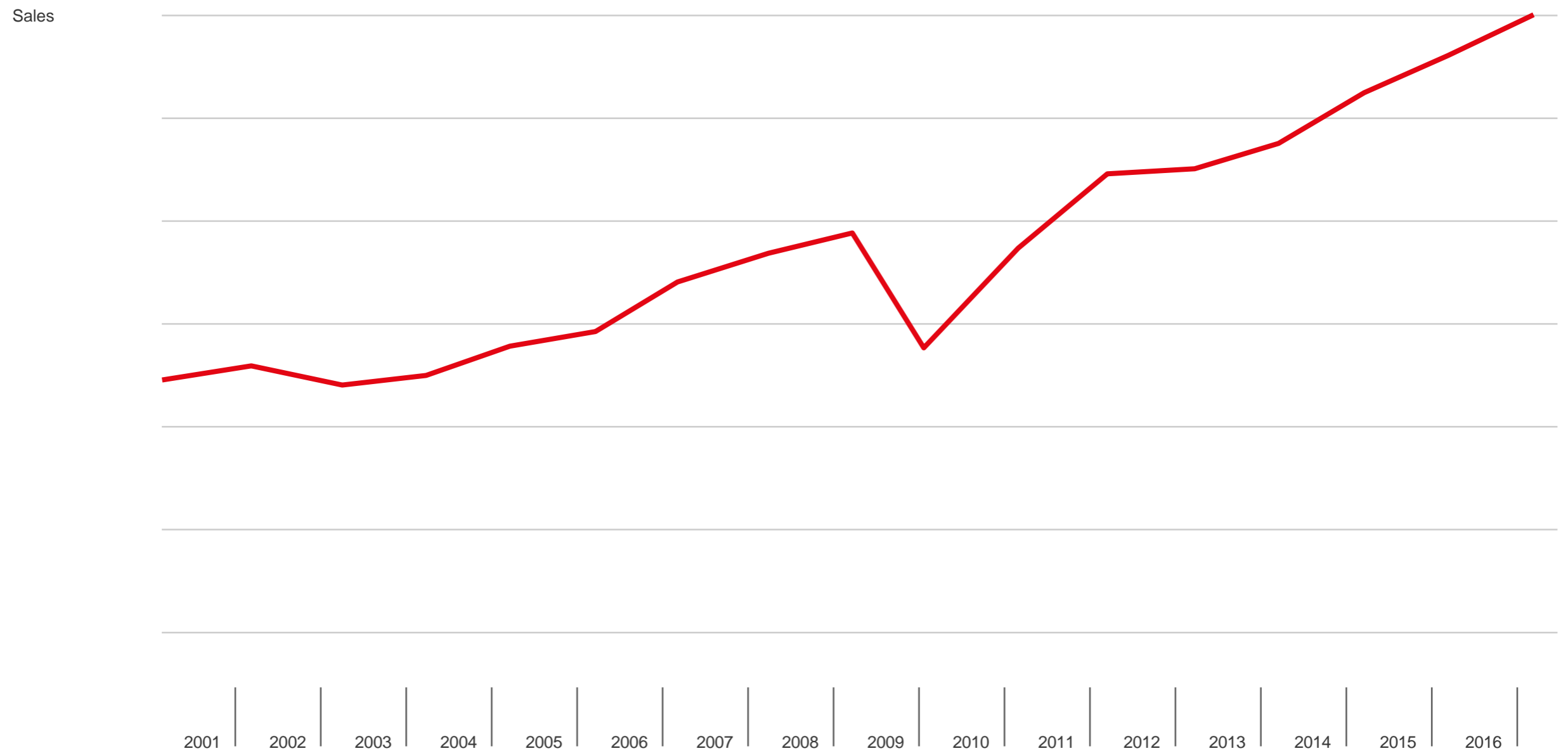
Market leader in the development, manufacture and sale of standard parts

Based in the Black Forest, represented worldwide

The company



Continuous development



That's what makes Ganter special



Commitment to variety



- **Design aids before CAD – systems**
==> strickles e.g. for adjustables GN 300
- **EMO 1985 , first discussions with company Dürr + Partner.**
Standard parts can only succeed with the help of CAD files.
==> Need for action!
==> CAD drawings will be in future sales relevant
- **CAD–Softwareprovider offered drawings of most important DIN-parts as a standard**

Problem @ Ganter: Which software is best common?

Solution not feasible due to costs and time reasons!

Development | Partnership CADENAS



- **October 1987, first software presentation with company „Dürr + Partner“ during EMO exhibition.**
==> „ABACAD“ – Software, file-generation of neutral drawings
- **Fa. Dürr disappeared, accession by VW-Gedas (division of VW)**
- **Beginning of 90`s: DXF file format | AutoCAD was established (Genius)**
- **1992, Ganter started commercialisation and installation on different computer systems (DXF- und DWG- format) via 3 1/2 inch disks (VW-Gedas)**
- **1997, first Ganter-CD Rom catalogue with DXF-files was launched**

Development | Partnership CADENAS



- 1999, launch of first Ganter website
- CADENAS started intensive and professional with this interesting topic and has contacted market leaders for standard parts.
- Success story of 3D-files started checkless!
Also an intensive cooperation with CADENAS takes its course.
- First contracts with Cadenas (280 series, approx. 40.000 €) in 2000
==> Breakthrough of 3D drawings in neutral and native formats



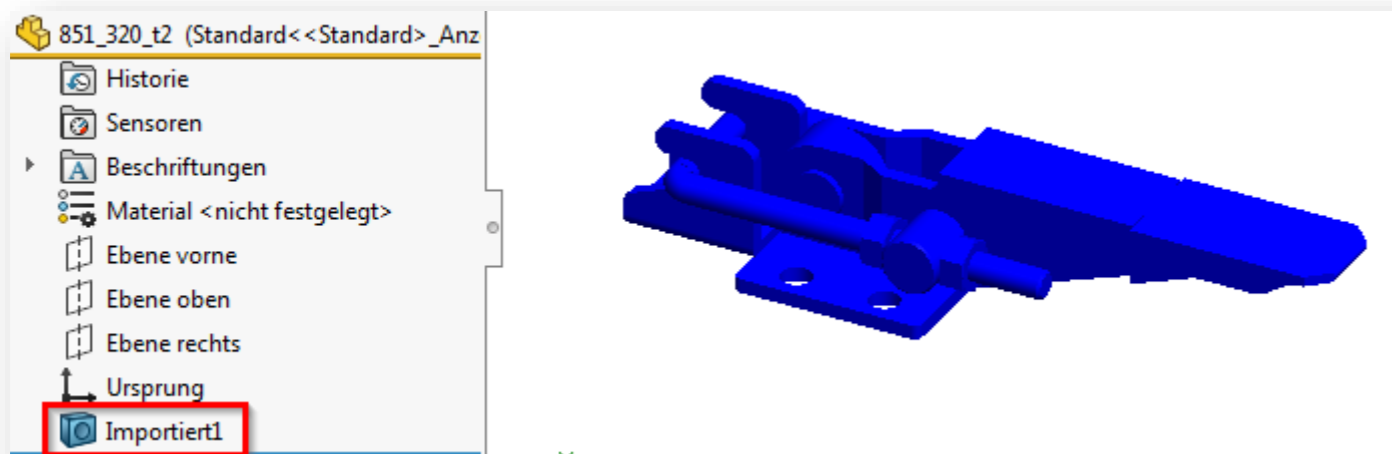
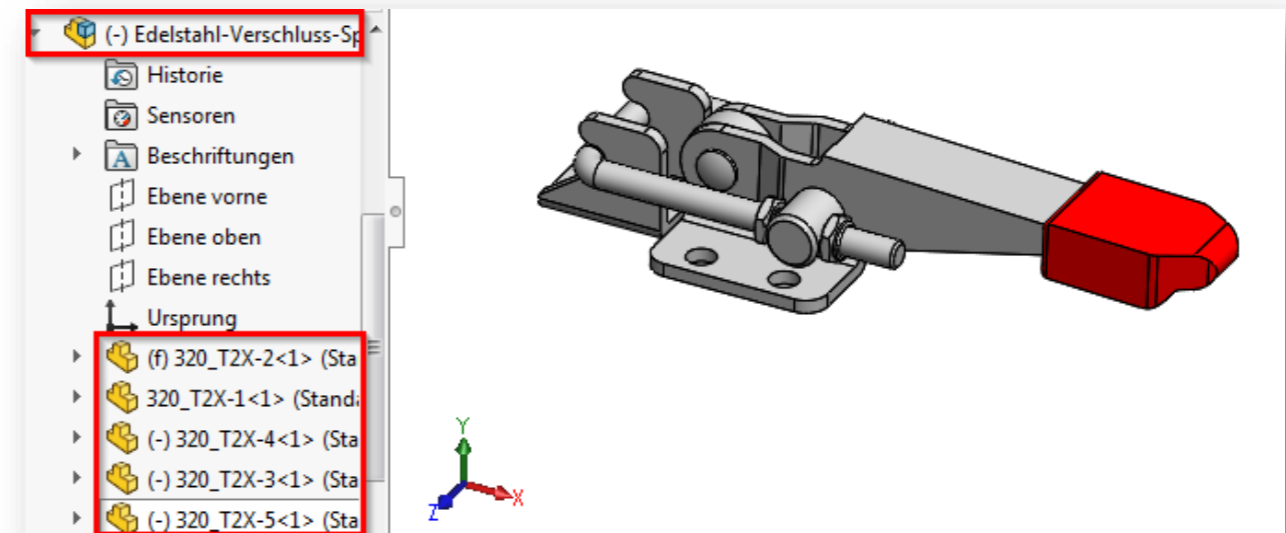
Development procedure until 2006

- **CAD – files will be assisted by marketing in the course of paper catalog production**
- **Modeling at Cadenas is done on the basis of catalog information and drawings - suboptimal-**
- **Optimization potential is absolutely existing!**



Development procedure until 2006

- Importance of quality and actuality is increasing
- Due to an enormous development of the CAD-systems, the 1st hour model quality is no longer accepted






CAD- New procedure since 2007



- **The responsibility for CAD data goes to the technical department**
- **As one of the first companies, Ganter lays down a design manual together with Cadenas.**

The so-called Ganter-CDM is born!

|  OTTO GANTER GmbH & Co. KG | | CADENAS DESIGN MANUAL GANTER-CDM | |  | |
|---------------------------------------------------------------------------------------------------------------|-----------------------------------------------------------|-------------------------------------|--|-------------------------------------------------------------------------------------|----------|
| Inhalt | | | | | |
| 1.1 | Vorwort | | | | 2 |
| 1.2 | Cadenaspezifische Modellmerkmale | | | | 2 |
| 1.3 | Ganterspezifische Modellmerkmale | | | | 2 |
| 1.4 | Kommunikation zwischen Ganter und Cadenas | | |  | 2 |
| 2 | Grundlegende statische Modellmerkmale | | | | 3 |
| 2.1 | Schnittstellen zur Anwenderkonstruktion | | | | 3 |
| 2.2 | Außenkontur - Störkontur | | | | 3 |
| 2.3 | Detaillierungsgenauigkeit | | | | 3 |
| 2.4 | Modellfarben | | | | 3 |
| | 2.4.1 Allgemeine-RGB-Farben CADENAS | | | | 4 |
| | 2.4.2 Allgemeine RGB-Farben für Beschichtungen von Ganter | | | | 5 |
| 2.5 | Symmetrischer Modellaufbau | | | | 6 |
| 2.6 | Modellgröße | | | | 6 |
| 3 | Grundlegende kinematische Modellmerkmale | | | | 7 |
| 3.1 | Feste Modelle (Einteil - Teil) | | | | 7 |
| | 3.1.1 Real einteilig | | | | 7 |
| | 3.1.2 Funktionell einteilig | | | | 7 |
| 3.2 | Bewegliche Modelle | | | | 8 |
| | 3.2.1 Baugruppe zweiteilig | | | | 8 |
| | 3.2.2 Baugruppe mehrteilig | | | | 9 |
| 3.3 | Kinematik der Baugruppen-Modelle | | | | 10 |
| | 3.3.1 Neutrale Formate | | | | 10 |

zurück

The Ganter-CDM



Model features like

- One or multiple parts / flexibility
- Level of Detail
- Colours

are fixed in CDM to increase the model quality!

- Time lag in CAD data development is reduced. Ideally, the data are present at product launch
CAD data = Strategic weapon!
- Qualitatively imperfect models are modified and optimized
- Resources were created

Technical marketing since 2012

- **The pre-development department is now responsible for technical marketing matters**
- **As a link between technical department, marketing and Cadenas, it ensures optimal CAD data**
- **Preparation, maintenance and modifications are managed between this new department and Cadenas with fruitful results**



Optimizations of CAD files


Adaptation of the status designation :

- open – closed
- clamed – detached
- engaged – not engaged

Standardised names for similar parts



| | PARTNUMBER | NORMNR | POS | ABSTAND | D1 | D2 | D3 |
|----|------------------------|-----------|------------|--------------|----------------|---------|------|
| | GANTER PARTNUMBER | Normnu... | Position | Kontermut... | Stift h11 B... | Gewinde | [mm] |
| 3 | GN 717-4-M6-AK-NI | GN 717 | unbetätigt | 5 | 4 | M6 | 14 |
| 4 | GN 717-4-M8x1-AK-NI | GN 717 | unbetätigt | 4 | 4 | M8x1 | 18 |
| 5 | GN 717-5-M8-AK-NI | GN 717 | unbetätigt | 5 | 5 | M8 | 18 |
| 6 | GN 717-5-M8x1-AK-NI | GN 717 | unbetätigt | 5 | 5 | M8x1 | 18 |
| 7 | GN 717-5-M10x1-AK-NI | GN 717 | unbetätigt | 6 | 5 | M10x1 | 18 |
| 8 | GN 717-6-M10-AK-NI | GN 717 | unbetätigt | 5 | 6 | M10 | 24 |
| 9 | GN 717-6-M12x1,5-AK-NI | GN 717 | unbetätigt | 7 | 6 | M12x1,5 | 24 |
| 10 | GN 717-8-M12-AK-NI | GN 717 | unbetätigt | 4 | 8 | M12 | 30 |
| 11 | GN 717-8-M12x1,5-AK-NI | GN 717 | unbetätigt | 7 | 8 | M12x1,5 | 30 |



| | | |
|--------|------------|---------------------------------------------------------------------------------------|
| GN 717 | unbetätigt | |
| GN 717 | unbetätigt | |
| GN 717 | betätigt | |
| GN 717 | unbetätigt |  |
| GN 717 | unbetätigt | |
| GN 717 | betätigt | |
| GN 717 | | |
| GN 717 | | |
| GN 717 | | |

unbetätigt

betätigt

CAD-Development within the Ganter Group



- The brands Ganter, Elessa-Ganter and JW Winco are processed individually with all the disadvantages.

==>This classic model needs to be optimized for the future!



Central data storage | Konzept of Cadenas

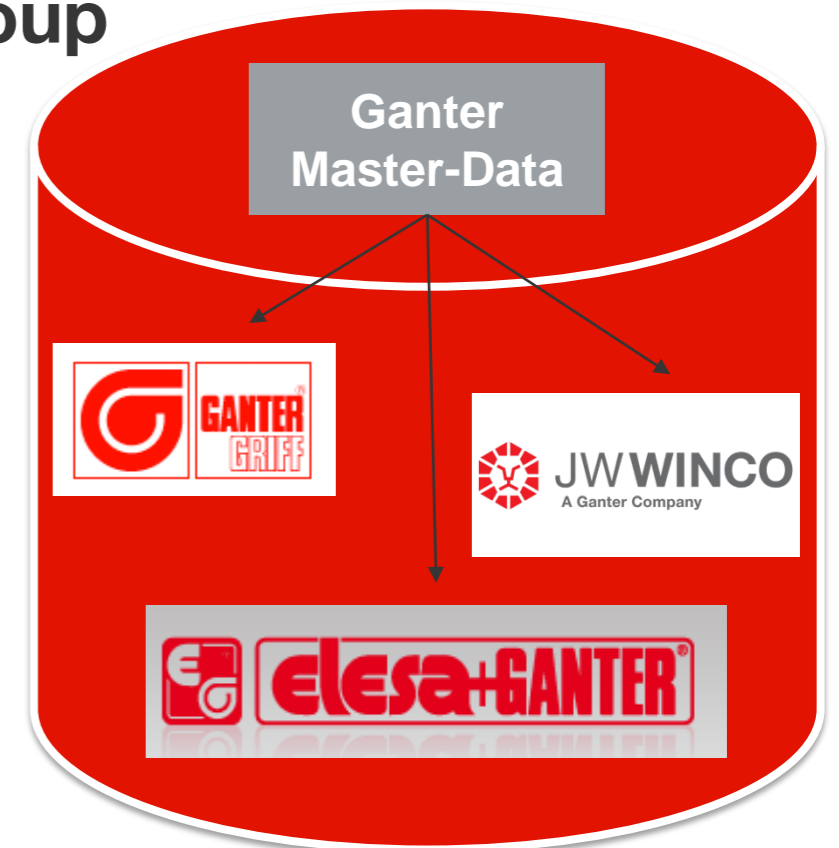
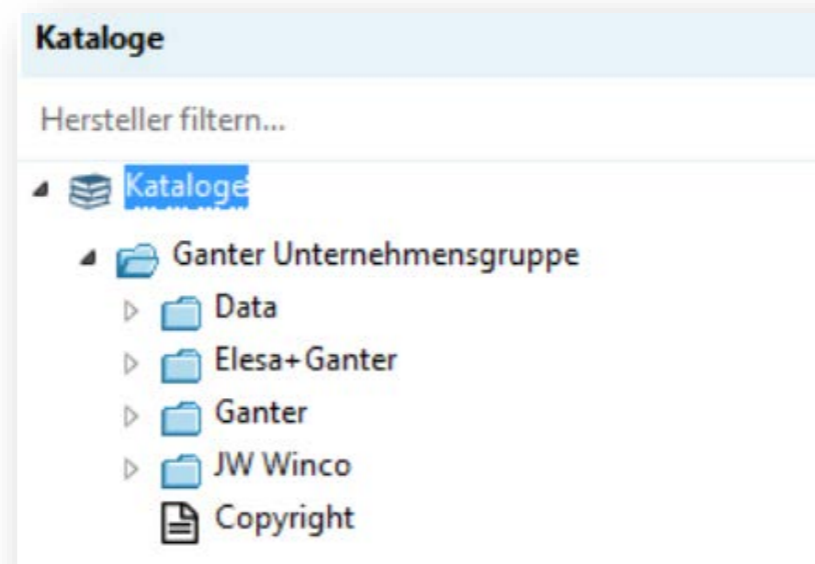


- There is one catalogue for the Ganter group of companies
- This catalog is not public and is only used to process the data used for all catalogs.
- It contains an invisible directory that contains all projects from all catalogs. This data is the master data.
- The master data must contain the information for all catalogs, e.g. all part numbers for the different target catalogs etc.

CAD development - 2018



- The Elesa-Ganter, Ganter and JW Winco brands are supplied with CAD technology from Ganter's corporate group



Advantages:

- Development & maintenance is only required once
- Saves time and money
- Time to Market is reduced for all 3 brands

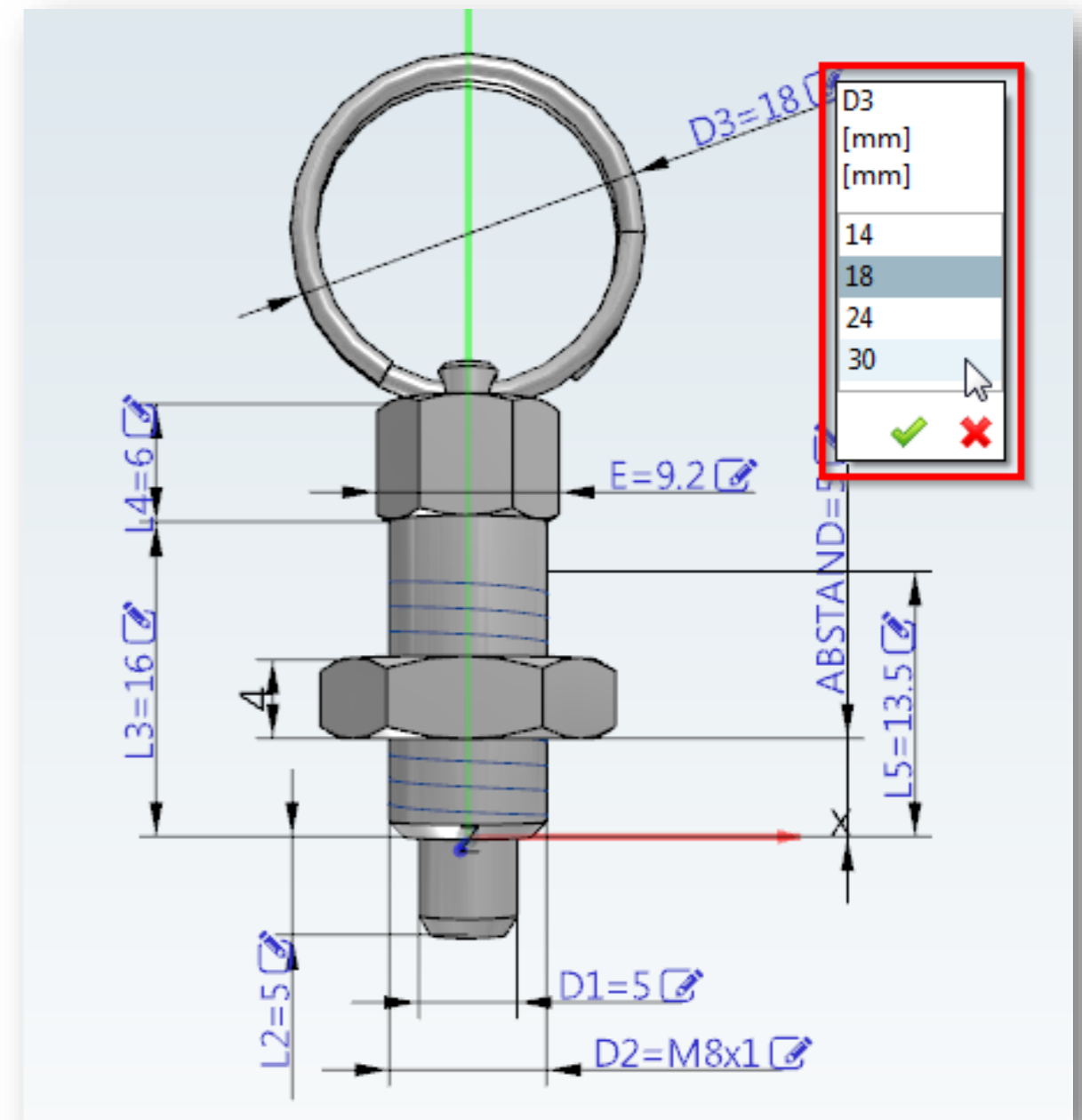
Disadvantage: extremely high costs for this project (short term)

Dynamic Dimensioning

3D-dimensioning has been implemented in the model preview of PARTdataManager.

Advantages for machine designers:

- Change of perspective between table and drawing can be avoided
- Easy variants overview is given
- Dimensions appear direct in Pull-Down menu
- Reduction of errors
- Less time in the selection of parts required

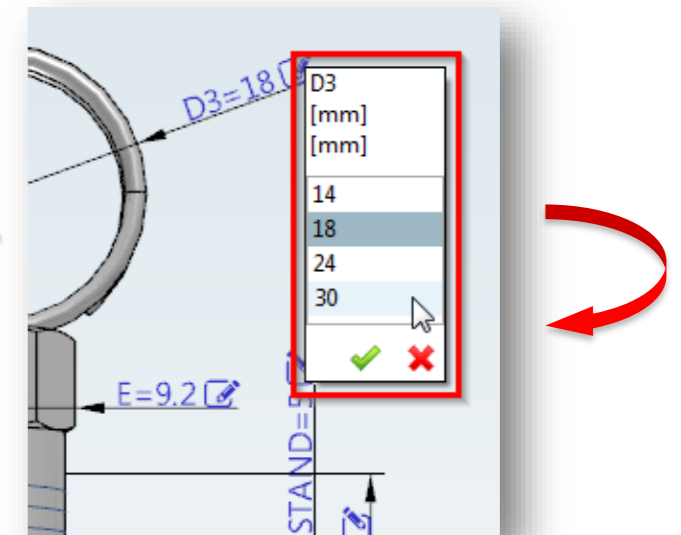


Dynamic Dimensioning

Advantage for machine designers:

- At the same time, the mark in the table changes to the newly selected size | execution

| | PARTNUMBER | NORMNR | POS | ABSTAND | D1 | D2 | D3 |
|----|------------------------|-----------|------------|--------------|----------------|---------|------|
| | GANTER PARTNUMBER | Normnu... | Position | Kontermut... | Stift h11 B... | Gewinde | [mm] |
| 3 | GN 717-4-M6-AK-NI | GN 717 | unbetätigt | 5 | 4 | M6 | 14 |
| 4 | GN 717-4-M8x1-AK-NI | GN 717 | unbetätigt | 4 | 4 | M8x1 | 18 |
| 5 | GN 717-5-M8-AK-NI | GN 717 | unbetätigt | 5 | 5 | M8 | 18 |
| 6 | GN 717-5-M8x1-AK-NI | GN 717 | unbetätigt | 5 | 5 | M8x1 | 18 |
| 7 | GN 717-5-M10x1-AK-NI | GN 717 | unbetätigt | 6 | 5 | M10x1 | 18 |
| 8 | GN 717-6-M10-AK-NI | GN 717 | unbetätigt | 5 | 6 | M10 | 24 |
| 9 | GN 717-6-M12x1,5-AK-NI | GN 717 | unbetätigt | 7 | 6 | M12x1,5 | 24 |
| 10 | GN 717-8-M12-AK-NI | GN 717 | unbetätigt | 4 | 8 | M12 | 30 |
| 11 | GN 717-8-M12x1,5-AK-NI | GN 717 | unbetätigt | 7 | 8 | M12x1,5 | 30 |



Project time frame:

approx. 5 months for more than 50.000 pcs.

Future prospects

- **Renderings from web 3D data as product photo replacement is currently in the planning phase**
- **Modeling and programming will be outsourced to Cadenas also in the future in order to be always updated with latest developments.**



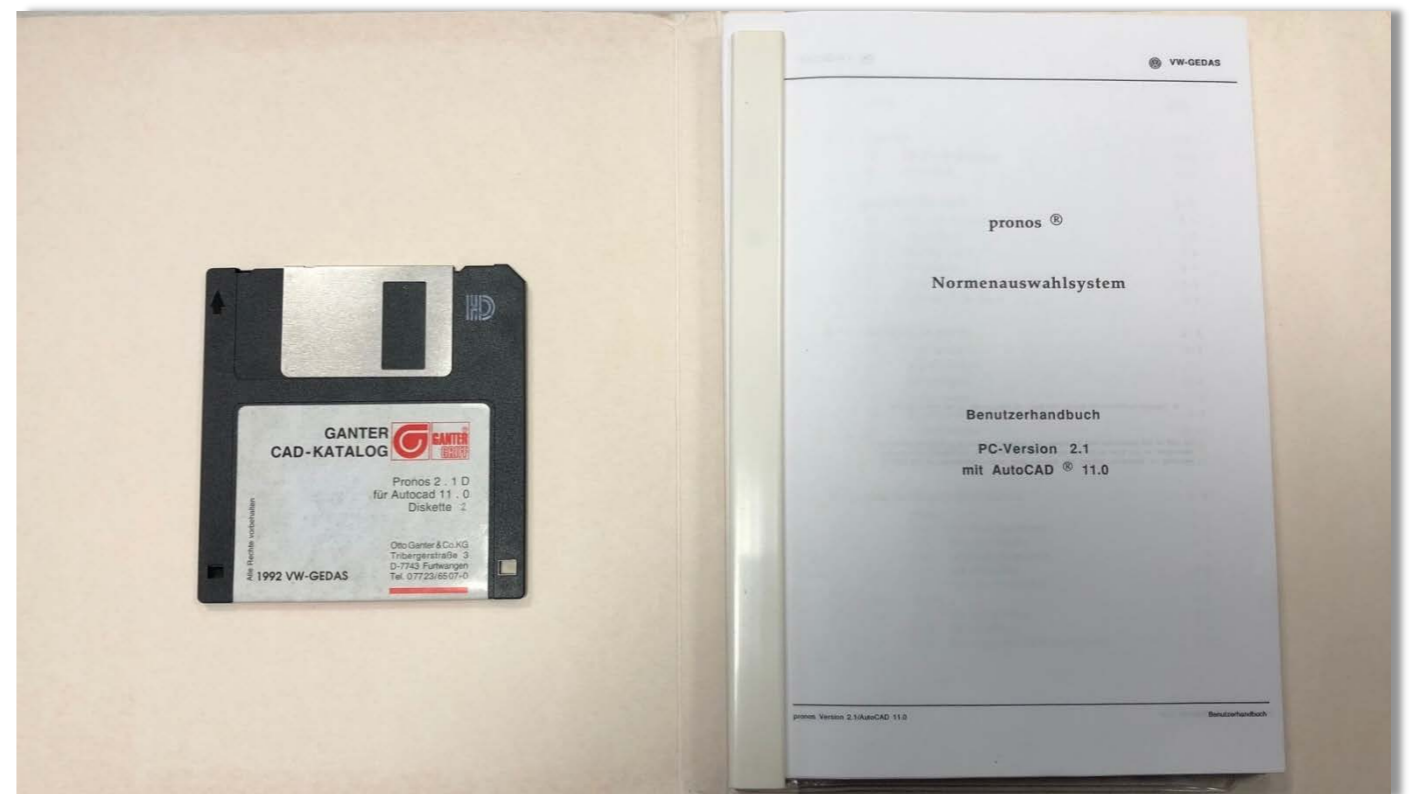
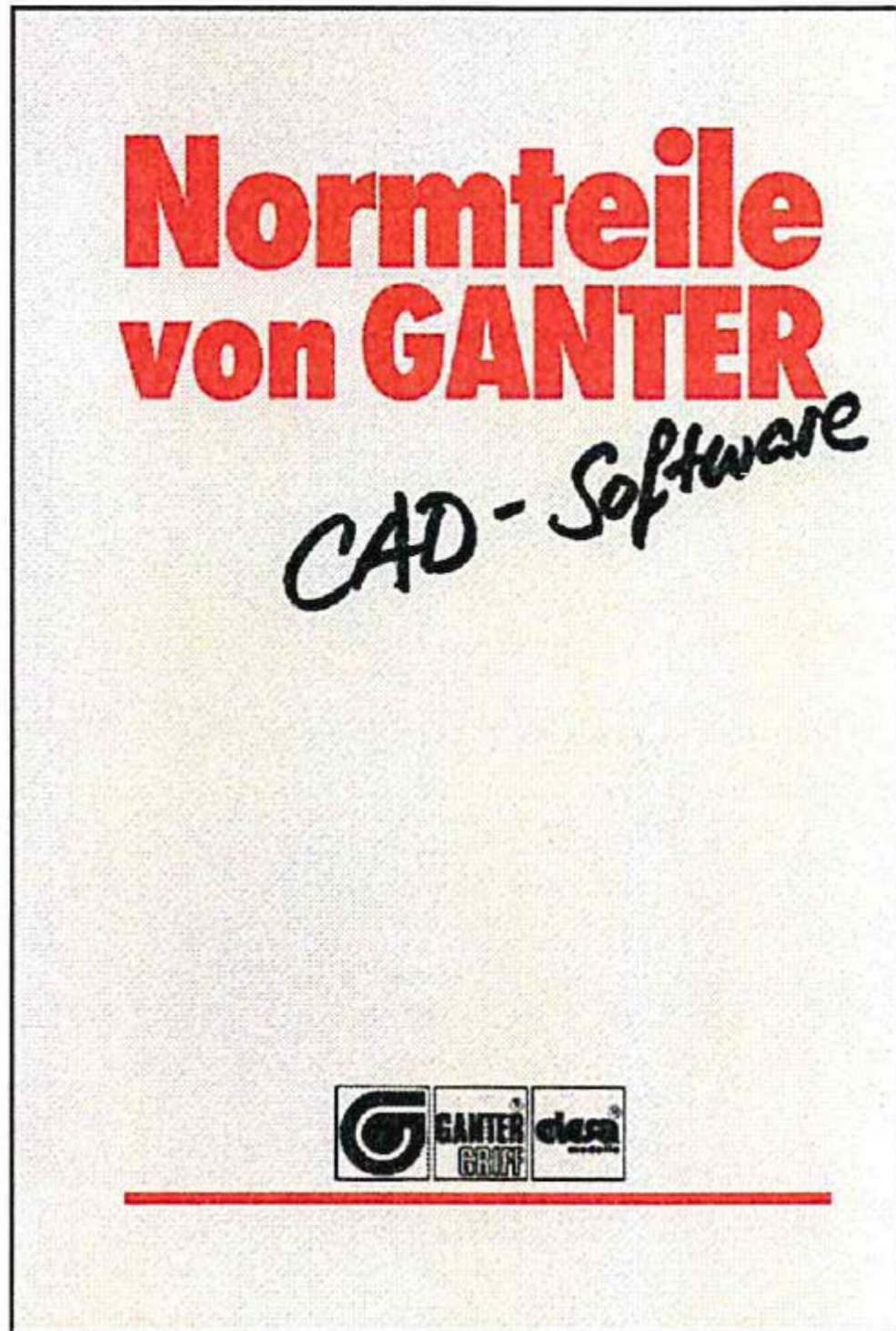
Thanks for your attention



THE END



Ganter- disk with CAD files, 1992



back



- [Aktuell](#)
- [Die Produkte](#)
- [Das Unternehmen](#)
- [Der Katalog](#)
- [Die Neuheiten](#)
- [Ergostyle by ELESA](#)
- [Der PC-Katalog](#)
- [Anforderung von Unterlagen](#)
- [Vertretungen in Deutschland](#)
- [Vertretungen im Ausland](#)

Otto Ganter GmbH & Co. KG
Normteilefabrik
Triberger Strasse 3
D-78120 Furtwangen
Telefon (07723) 6507-0
Telefax (07723) 4659
[E-Mail:info@ganter-griff.de](mailto:info@ganter-griff.de)



Normteile zum Bedienen und Spannen Vorrichtungs- und Maschinenelemente



[back](#)