



## **CADENAS Industry Forum 2015**



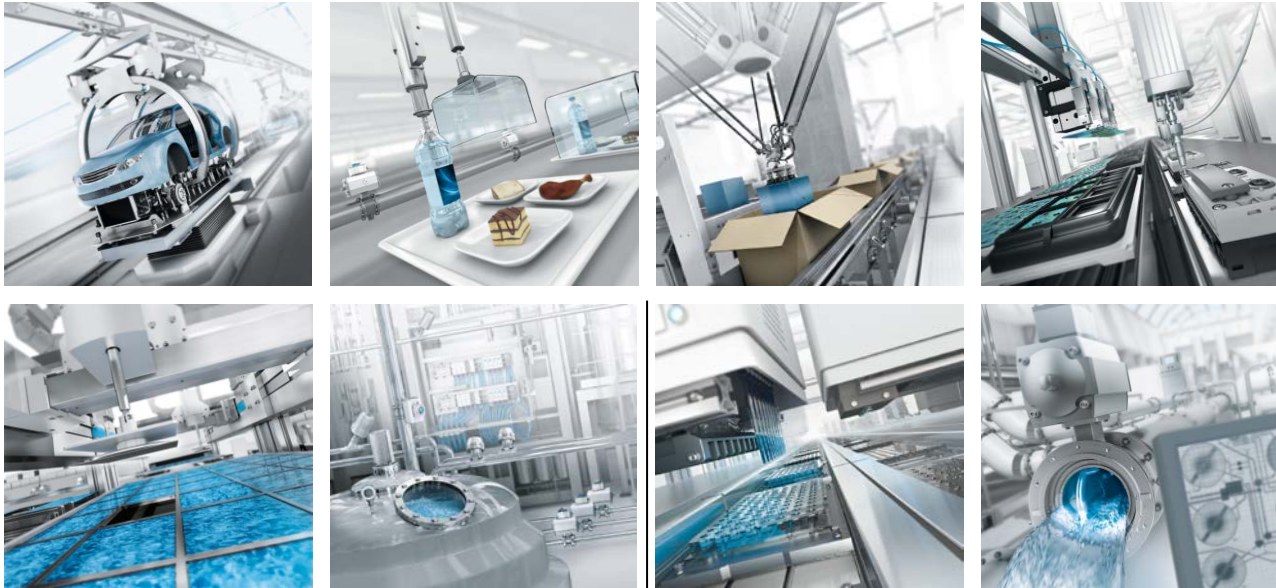
**Jürgen Herr**

04.02.2015

# Agenda

- **Overview Festo**
- **eCATALOGsolutions@Festo**
  - **Practical use of eCATALOGsolutions** → **data supply**
  - **Insights all about our CAD data creation process** → **data creation**
  - **Festo Design Tool 3D**  
**Fast, reliable and efficient when designing in 3D and ordering**

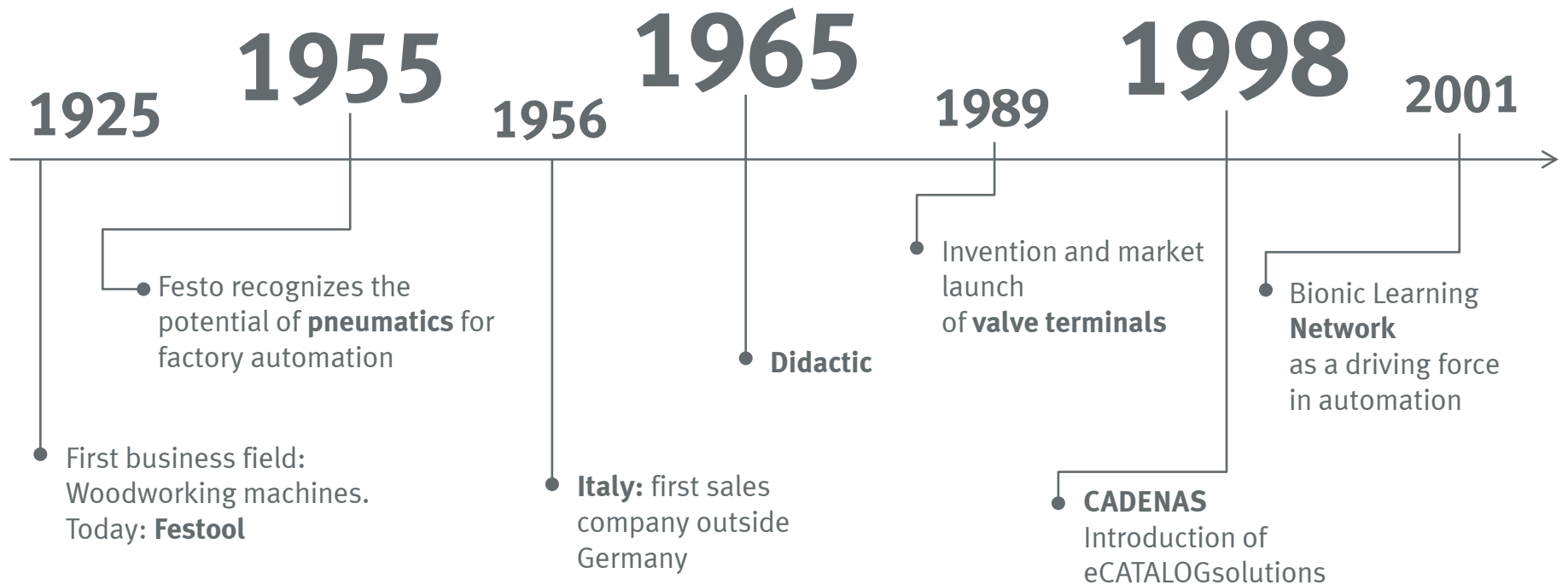
# Festo – your world-wide partner in factory and process automation



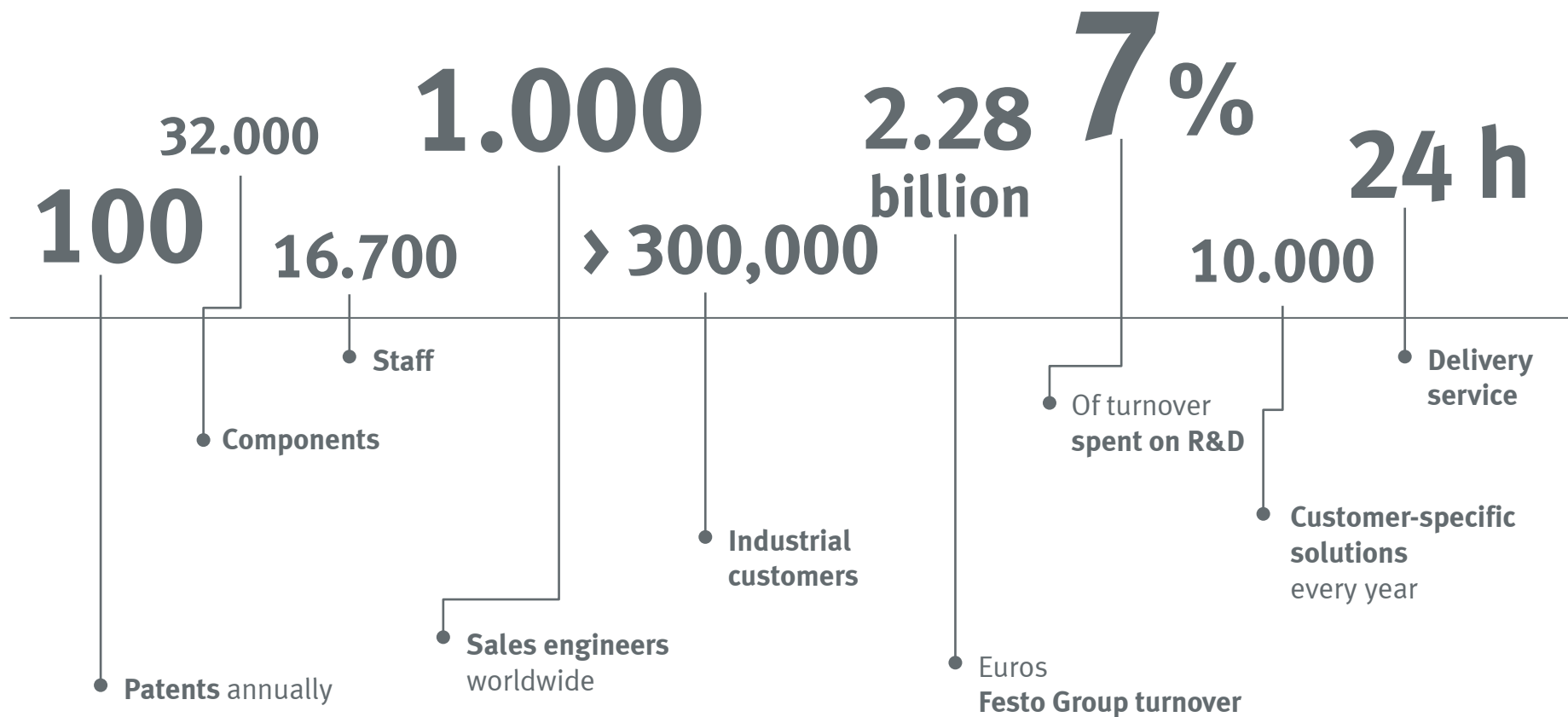
● **Intelligent automation with pneumatic and electrical drive technology**

- Factory automation
- Process automation
- Didactic
- Products
- Services
- Basic and further training

## Our history - from woodworking to automation

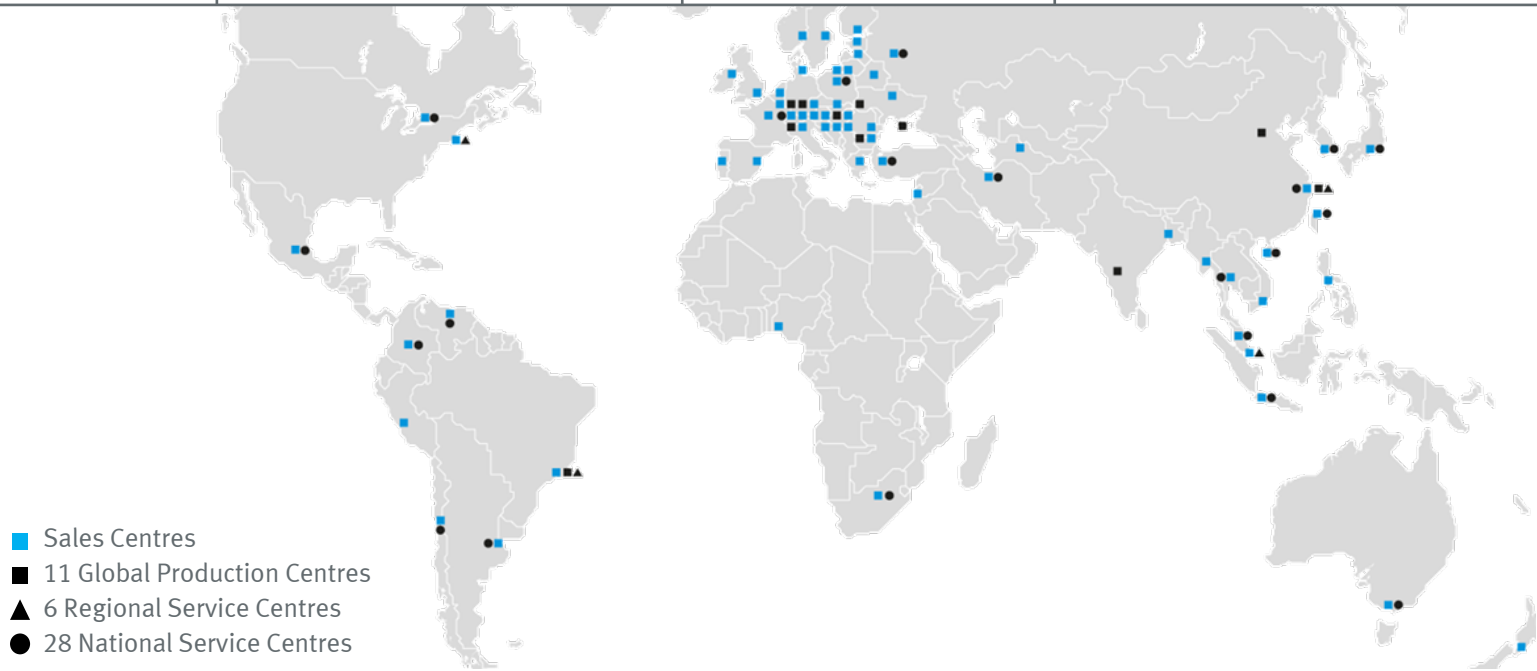


## Festo in figures



# Production, logistics, service – in 176 countries worldwide

● **Subsidiaries in 61 countries**
● **Over 250 branch offices**
● **Authorized agencies in a further 39 countries**



- Sales Centres
- 11 Global Production Centres
- ▲ 6 Regional Service Centres
- 28 National Service Centres

## Some examples of our sales products

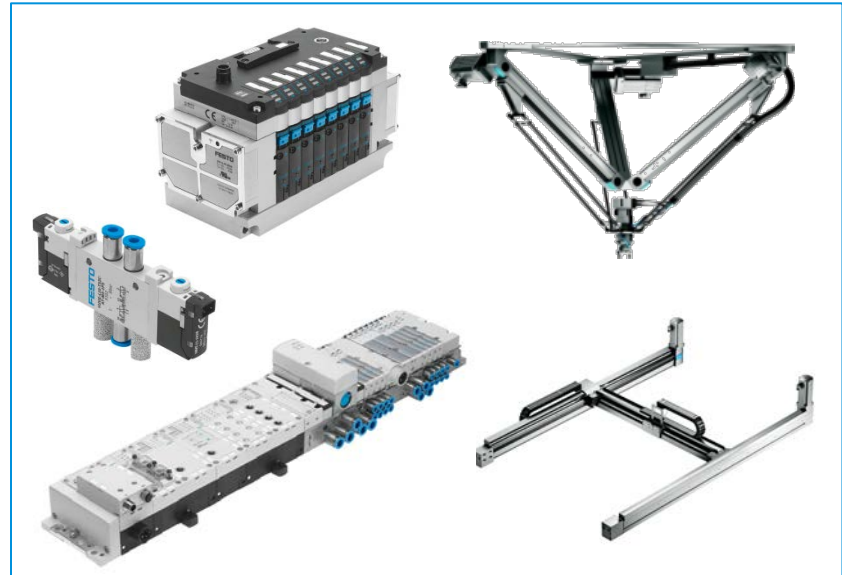
- 32.000 products with millions of variants
- Simple connectors up to complex electrical and pneumatic systems



Electrical and pneumatic connectors, sensors, etc.



Drives and compressed air preparation, etc.



Valves, valve terminals, handling systems, ready-to-install solutions, etc.

# The Bionic Learning Network: providing an impetus for industrial applications

## Exploiting nature's efficiency strategy for the benefit of automation technology

- Identifying new products and product ideas
- Testing new technologies and production methods
- Development of energy-efficient and biomechatronic products

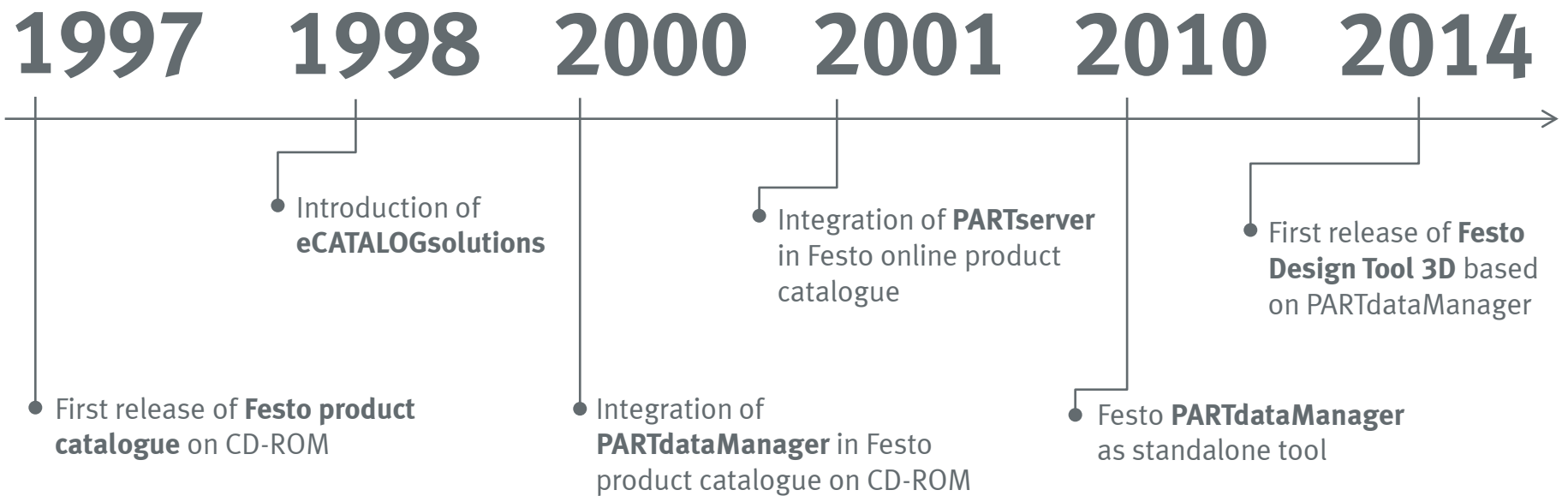




# Agenda

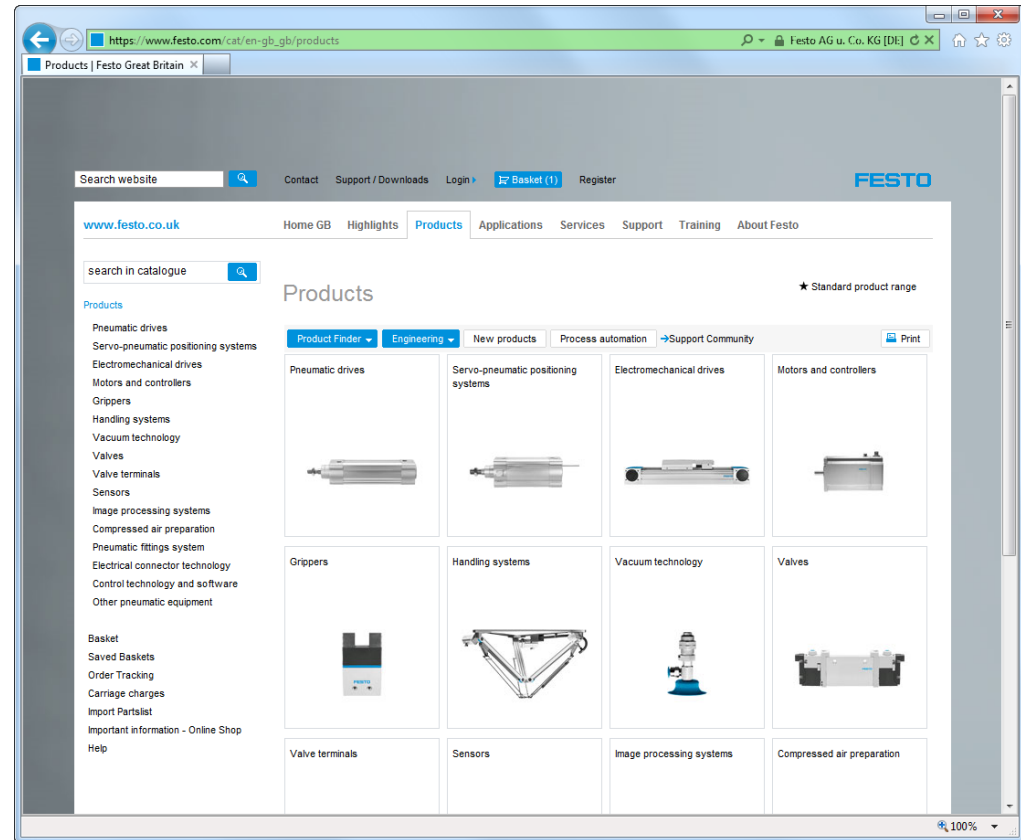
- Overview Festo
- **eCATALOGsolutions@Festo**
  - Practical use of eCATALOGsolutions → data supply
  - Insights all about our CAD data creation process → data creation
  - Festo Design Tool 3D  
Fast, reliable and efficient when designing in 3D and ordering

# Historie



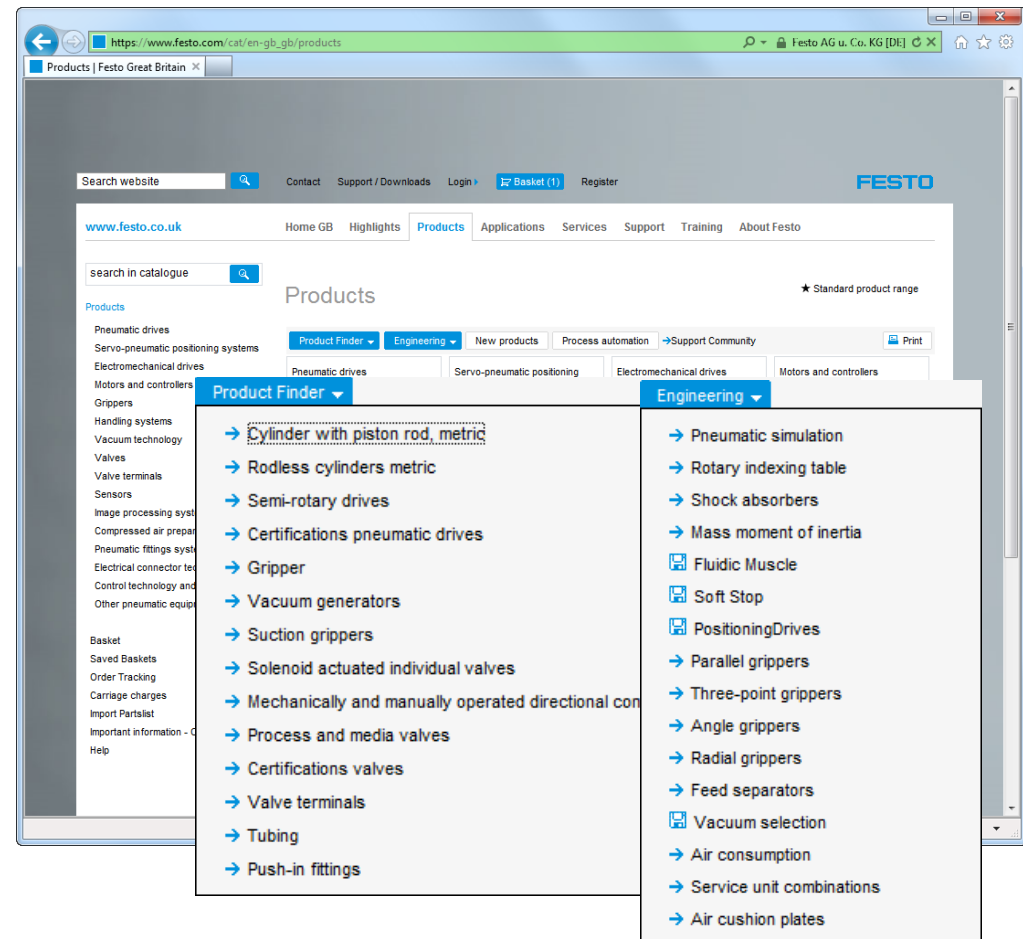
# Festo product catalogue

- 32.000 products in millions of variants
- Selection and engineering tools
- 2D/3D CAD data
- Technical data sheet and documentation
- Product compare
- Spare parts catalogue
- Delivery time
- Your price
- Developed by Festo



# Festo product catalogue

- 32.000 products in millions of variants
- Selection and engineering tools
- 2D/3D CAD data
- Technical data sheet and documentation
- Product compare
- Spare parts catalogue
- Delivery time
- Your price
- Developed by Festo



# Festo product catalogue

- 32.000 products in millions of variants
- Selection and engineering tools
- 2D/3D CAD data
- Technical data sheet and documentation
- Product compare
- Spare parts catalogue
- Delivery time
- Your price
- Developed by Festo

The image shows a screenshot of the Festo website interface. The top browser window displays the main product page with a search bar and navigation tabs. The bottom browser window shows the product details for 'CAD for Valve terminal VTSA-FB #539217'. The 'CAD systems' section lists various software options like AutoCAD, CATIA, and SolidWorks. The 'File formats' section lists options like 3D Creo Parametric 1.2 and 3D ElementsDirect. A 'Get data' button is visible. On the right, a blue sidebar menu is open, showing options like 'Add to basket', 'CAD/EPLAN', 'Accessories', 'Documentation', 'Data Sheet', 'Display Overview', 'More', and 'Save as'. Below the menu, there are checkmarks for 'Valid selection', 'Check Availability + Price', and 'use OrderCode'. At the bottom right, there is a 3D model of a valve terminal labeled 'Exemplary representation'.

# From product selection to after sales

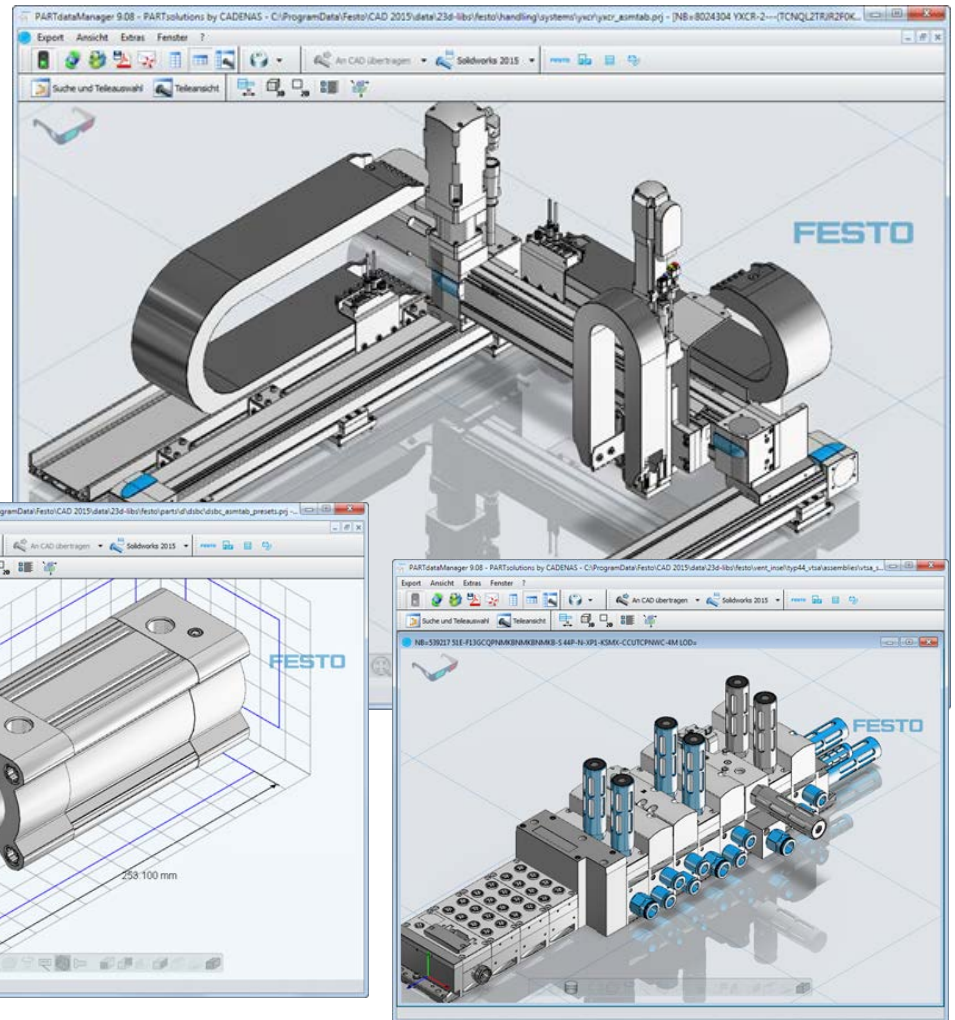
## Our Engineering Tools



<p><b>Electronic catalogue:</b></p> <ul style="list-style-type: none"> <li>• Product selection online or on DVD</li> <li>• Easy selection of all current products and accessories</li> </ul> <p><b>CAD</b></p>	<p><b>Engineering:</b></p> <p>Professional tools save the need for costly practical tests</p> <p><b>CAD</b></p>	<p><b>2D/3D view:</b></p> <p>Data for over 32,000 products</p> <p><b>CAD</b></p>	<p><b>Online shop –</b></p> <p>Convenient ordering in just a few steps</p> <p><b>CAD</b></p>	<p><b>Support Portal:</b></p> <p>Commissioning tools and full product information, even for older products</p> <p><b>CAD</b></p>
--	---	--	--	--

# Requests on 2D/3D CAD

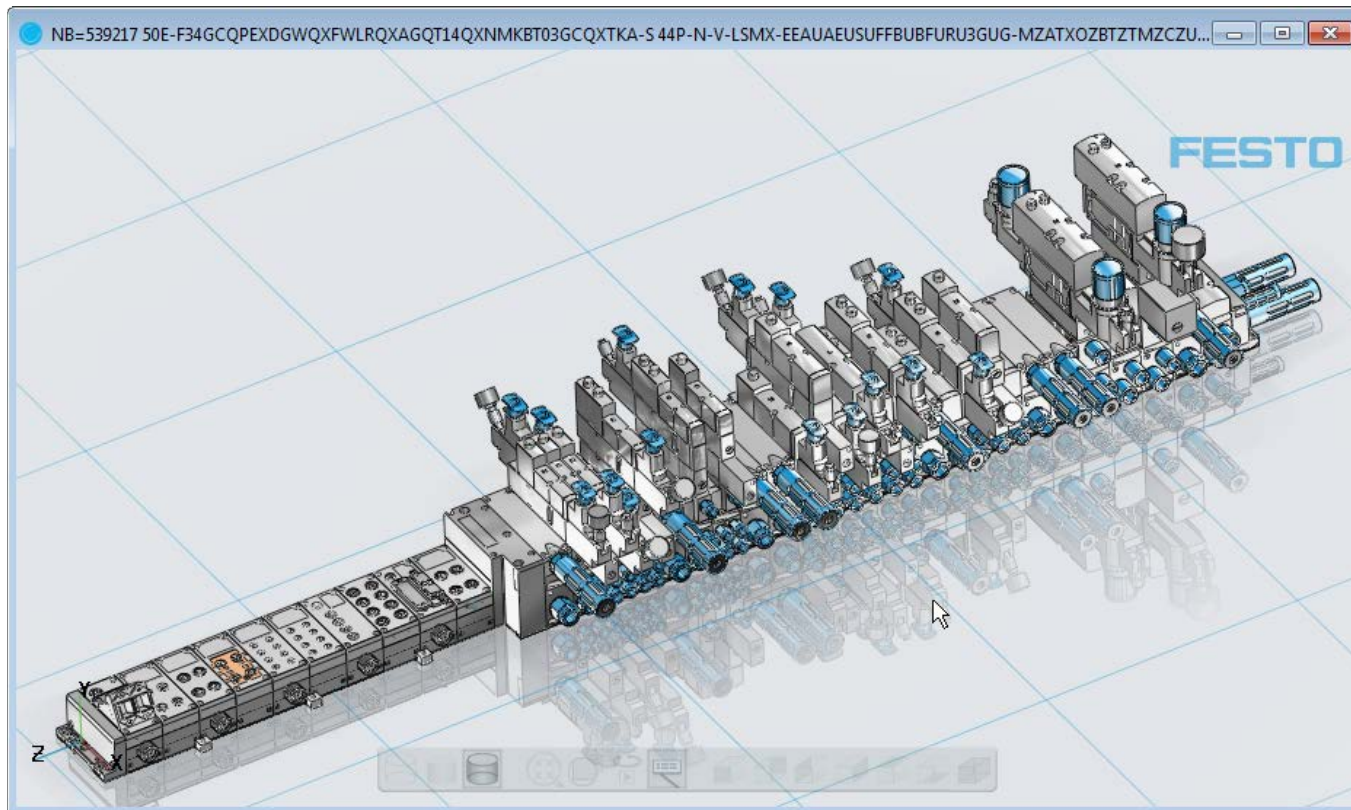
- For all of our catalogue products
- Standard and configurable products
- Simplified and function based
- Neutral and native CAD formats
- As local installed 3D tool and
- Via internet



## Example of a valve terminal

Identcode 1: 50E-F34GCQPEXDGWQXFWLRQXAGQT14QXNMKBT03GCQXTKA-S

Identcode 2: 44P-N-V-LSMX-EEAUAEUSUFFBUBFURU3GUGMZATXOZBTZTMZCZULZDTNKZFUXZTHBGXZUMOXZTZUMZAOZBTZTU  
MZCTLZDXNZTKZH ZUHBZIU MXZTOMZJXZUOZKTMZLTXTZUL

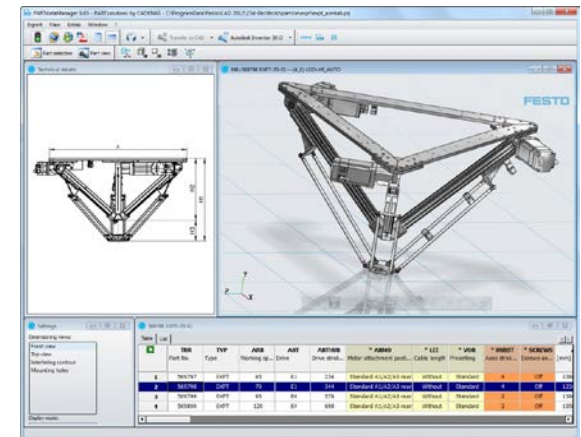




# CAD data supply

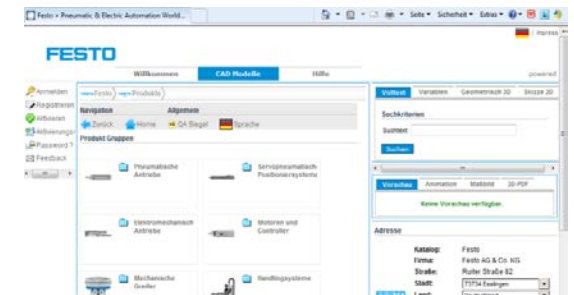
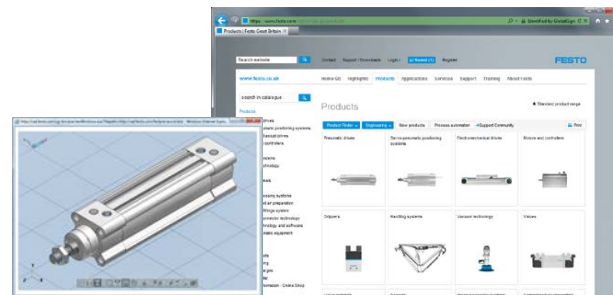
## PARTdataManager (offline)

- Available via Festo product catalogue on DVD and
- Via Download at [Festo Support Portal](http://Festo Support Portal)
- More information [www.Festo.com/partdatamanager](http://www.Festo.com/partdatamanager)



## PARTserver / PARTcommunity (online)

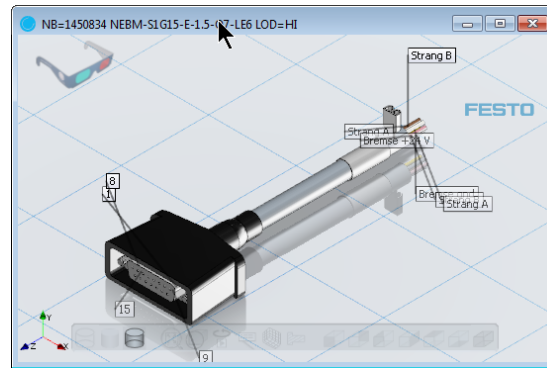
- Festo online product catalogue on the internet [www.Festo.com/catalogue](http://www.Festo.com/catalogue)
- Cadenas CAD portal PARTcommunity [festo.partcommunity.com/portal/portal/festo](http://festo.partcommunity.com/portal/portal/festo)



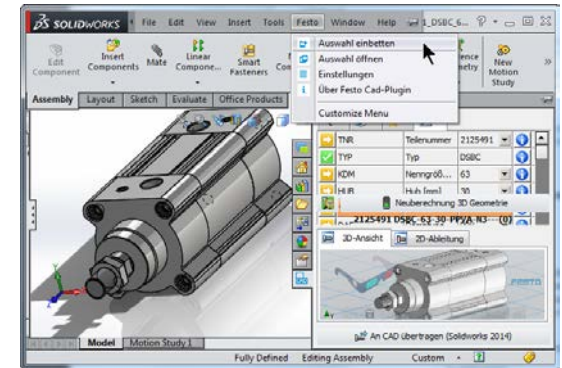
# Festo PARTdataManager



- Festo customization

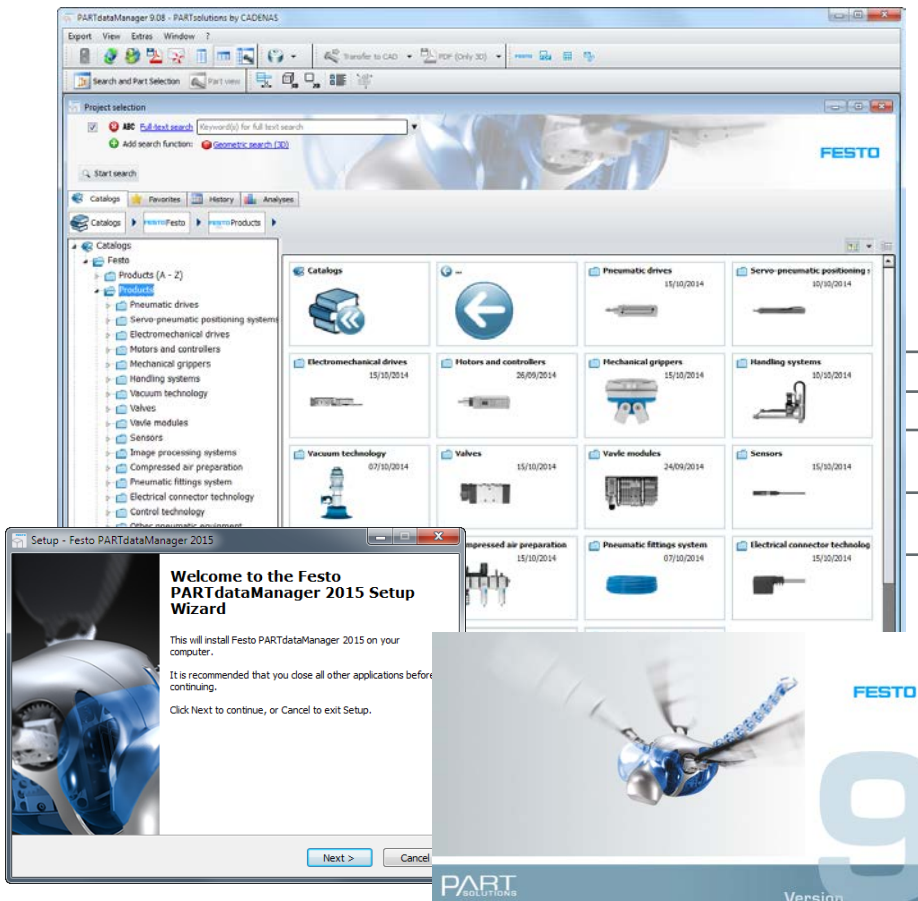


- CAD catalogue data



- CAD interfaces & functions

# Festo PARTdataManager



## Festo customization

- Setup by Festo
- Colors, logo and splashscreen
- Product-related links to Festo online catalogue
- Integration of Festo online configurator for complex products
- 2 search trees

# Festo PARTdataManager

The screenshot displays the Festo PARTdataManager 9.08 interface. The main window shows a table of parts with columns for Part number, Type, Nominal size, Stroke, Hub, Hubst, Ver, and Lau. Below the table, there are sections for 'Dimensioning views' and 'Technical details' showing a 3D model of a cylinder. A 'Replacement part selection' dialog is open, showing a table of replacement parts.

	TNR	TYP	KDM	* HUB	* HUBST	* VER	* LAU
	Part number	Type	Nominal size	Stroke [mm]	Extended ...	Protection...	Motion fu...
1	1634484	DSBG	32	1	0	-	-
2	1645477	DSBG	40	1	0	-	-
3	1646707	DSBG	50	1	0	-	-
4	1646738	DSBG	63	25	0	-	L
5	1646769	DSBG	80	1	0	-	-
6	1646799	DSBG	100	1	0	-	-

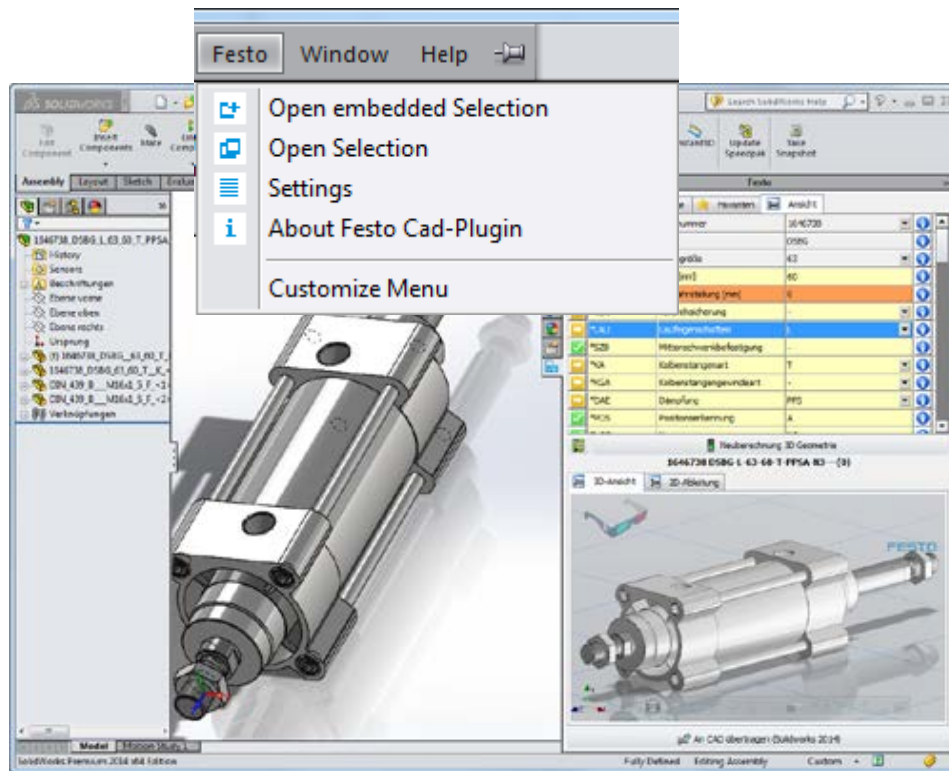
  

(medi)	ty logo (medi)	Catalog	Name	Description	Date
	Festo	DSBG	Standard cylinder		26.09.2014

## CAD catalogue data

- ~32.000 catalogue products
- Plus latest and discontinued products
- Accessories mapping
- Kinematic & limited constraints
- eClass, LOD, product weight
- Release notes
- 15 languages
- CAD update reminder

# Festo PARTdataManager



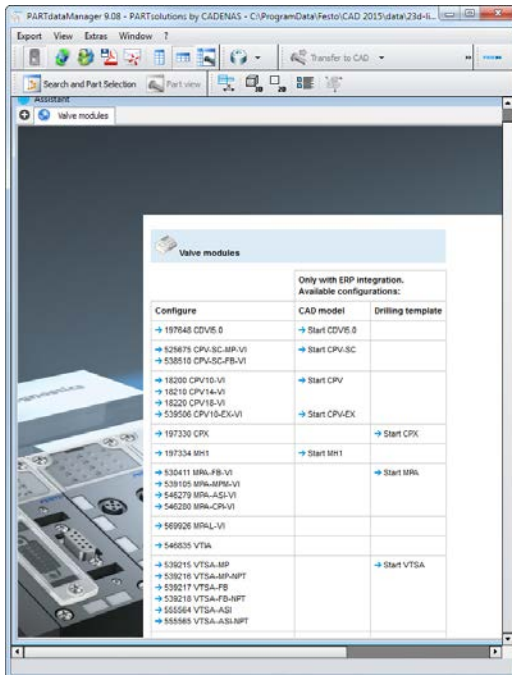
## CAD interfaces & functions

- Neutral CAD formats
- Native CAD interfaces for AutoCAD, Inventor, CATIA, Creo, Pro/E, Siemens NX, Solid Edge, SolidWorks
- Seamless integration  
→ Festo CAD plug-In
- Part comparison and geometric search

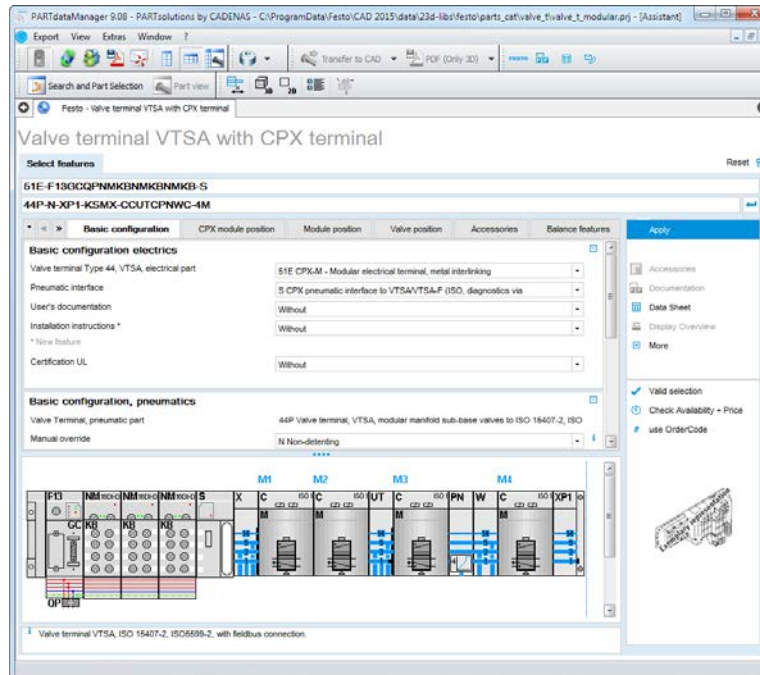
# PARTdataManager

## Integration of Festo online product configurator

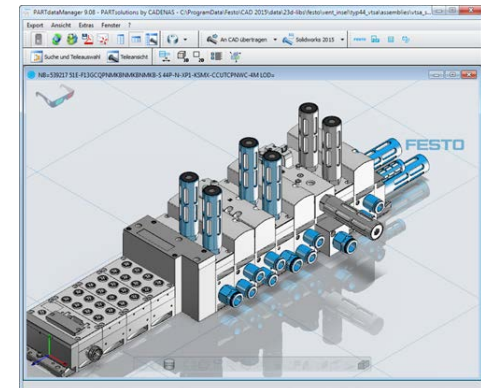
### 1. Selection



### 2. Configuration



### 3. 2D/3D CAD



# CAD via Festo online catalogue

## Selection and simulation

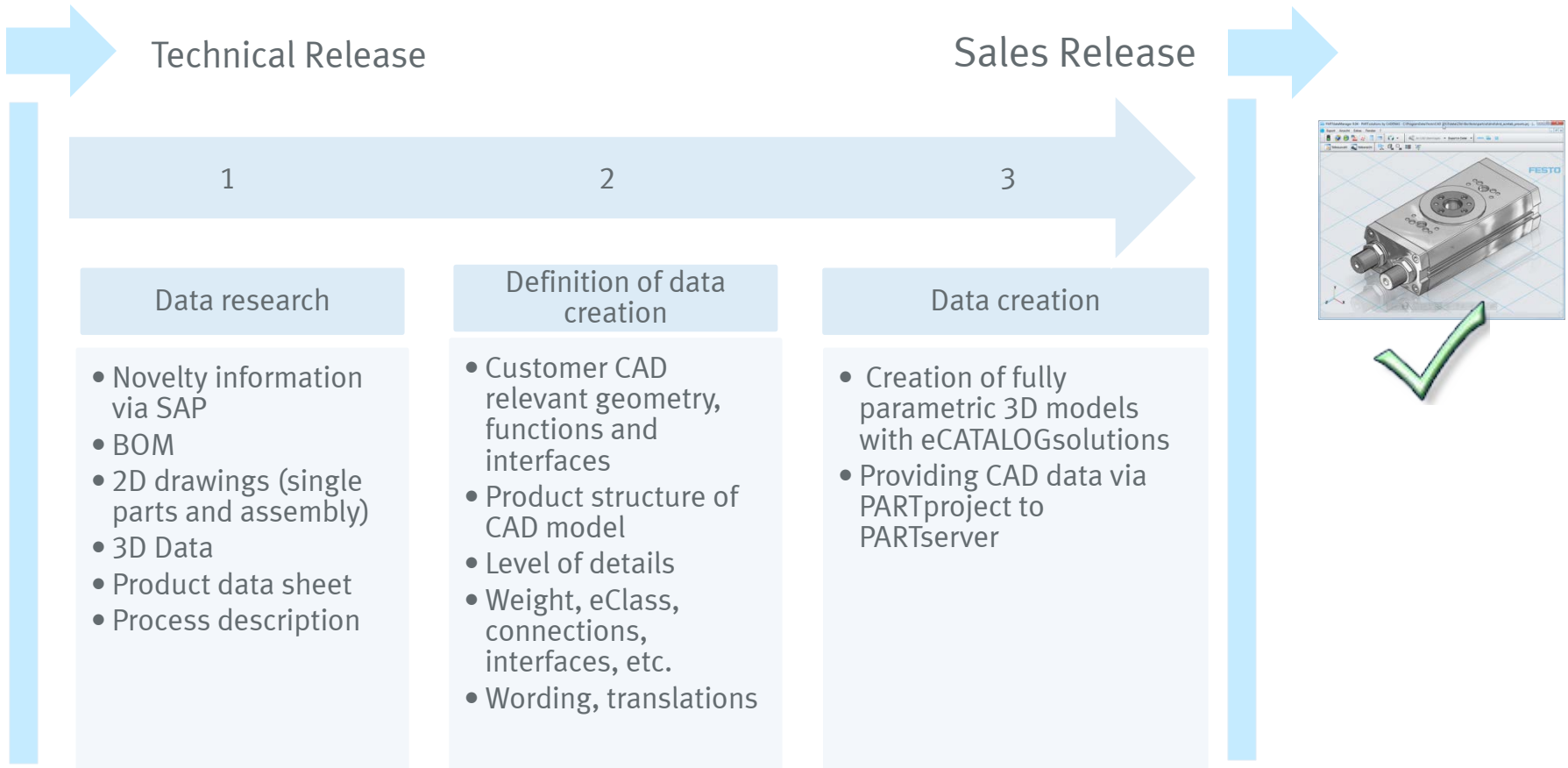
- Enter your application data
- Simulation
- Solution proposal

## 2D/3D CAD

- Selection on Festo page
- Creation and supply via PARTserver

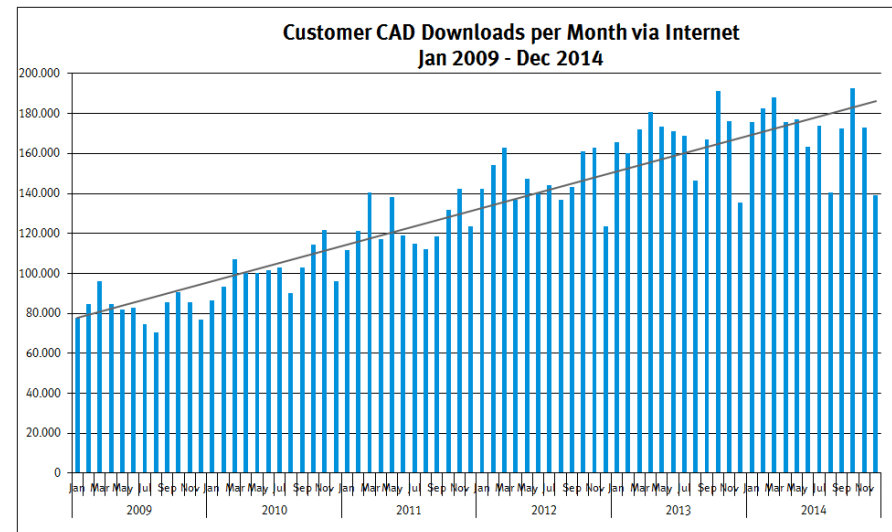
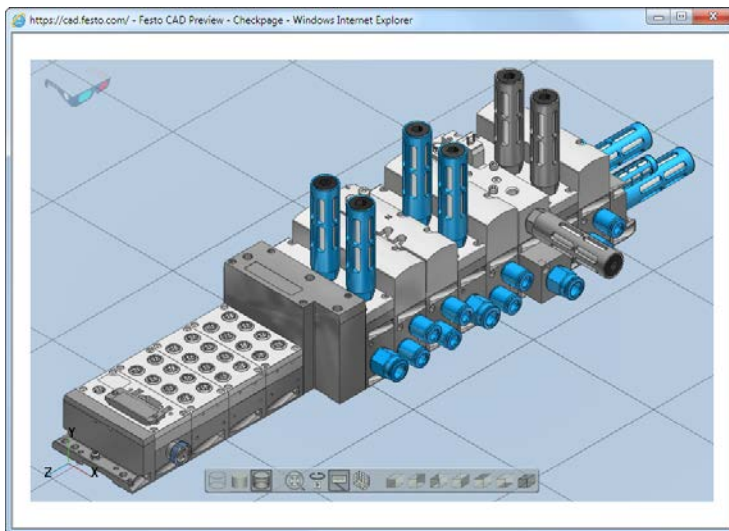
The screenshot shows two browser windows from the Festo website. The top window is titled "Selecting the handling solution" and offers four options: Single-axis system, 2D linear gantry, 2D gantry, and 3D gantry. The 3D gantry option is selected. The bottom window is titled "2D/3D-CAD" and shows the download options for the selected system. It includes fields for Name (Herr Juergen) and E-mail (design\_tool@de.festo.com), a "Download" button, and a "By e-mail" button. The CAD format options include 3D Pro/E Wildfire 4-5, 3D Pro/E Wildfire 4-5 PART2cad, 3D Creo Parametric 1-2, 3D Creo Parametric 1-2 PART2cad, and 3D Creo Elements/Direct Modeling >=17. The CAD preview shows a 3D model of the gantry system.

# eCATALOGsolutions in Festo new product engineering process (NEP)





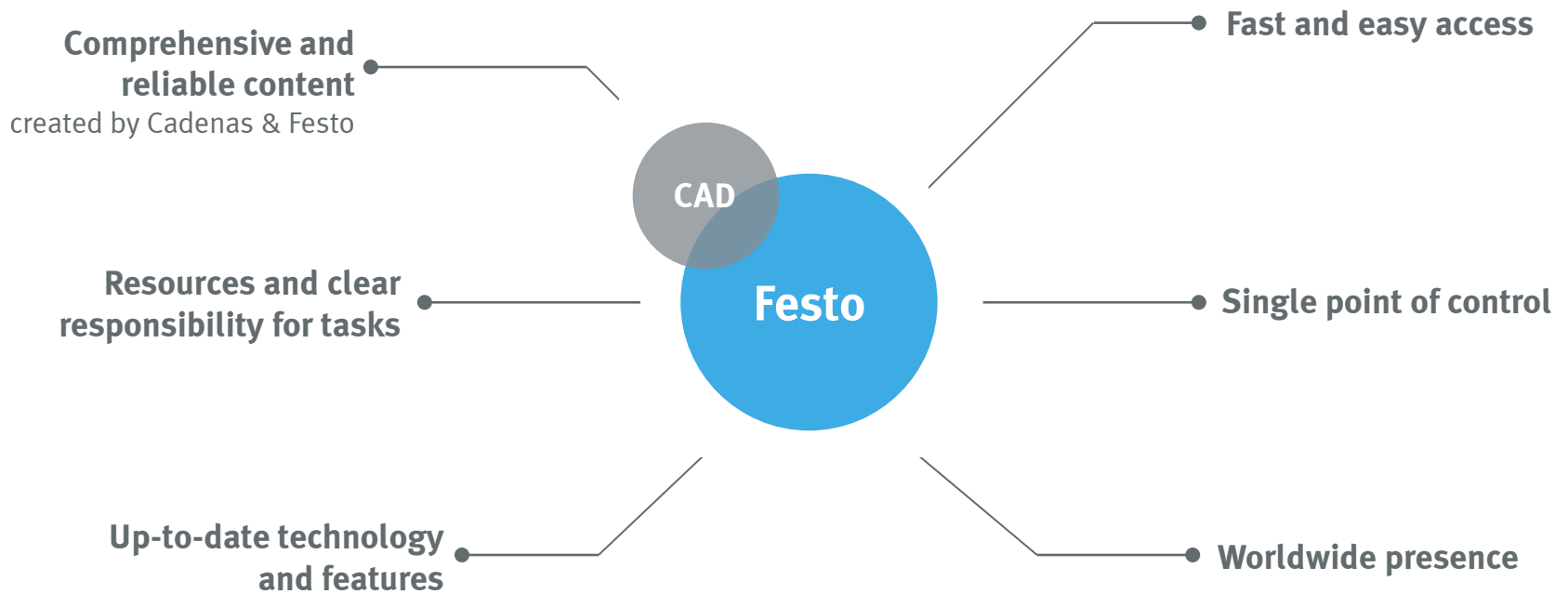
# Success story customer CAD



**Started:** 1998  
**Product range:** CAD models for 99% of all catalog products  
**Downloads per month:** 170.000



## Factor of success



## Agenda

- Overview Festo
- eCATALOGsolutions@Festo
  - Practical use of eCATALOGsolutions → data supply
  - Insights all about our CAD data creation process → data creation
- **Festo Design Tool 3D**  
**Fast, reliable and efficient when designing in 3D and ordering**

# Festo Design Tool 3D

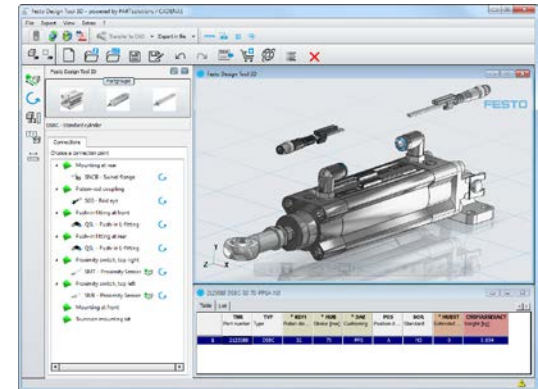
The FDT 3D is a CAD-based configurator for our customers to **design & order small** assemblies in a convenient and independent way.

Features:

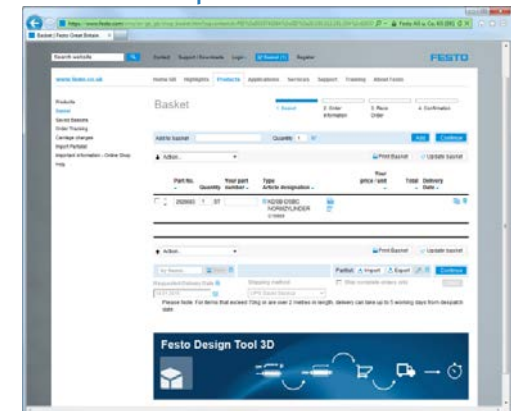
- Limited product range with predefined accessories
- Native and neutral 2D/3D CAD formats
- Integrated order process

Order options via internet:

- Pre-assembled
- Pre-packed



Online Shop



Download and more information: [www.Festo.com/FDT-3D](http://www.Festo.com/FDT-3D)  
 Technology by CADENAS, PARTdataManager (IPC)

## Partnership between CADENAS and Festo



- **Working together**  
Since 1998

- **eCATALOGsolutions**  
Fully integrated to Festo tools  
and processes from the  
beginning

- **CAD data creation**  
By CADENAS (20%) and Festo (80%)

**Thank you very much for  
your attention.**